

2

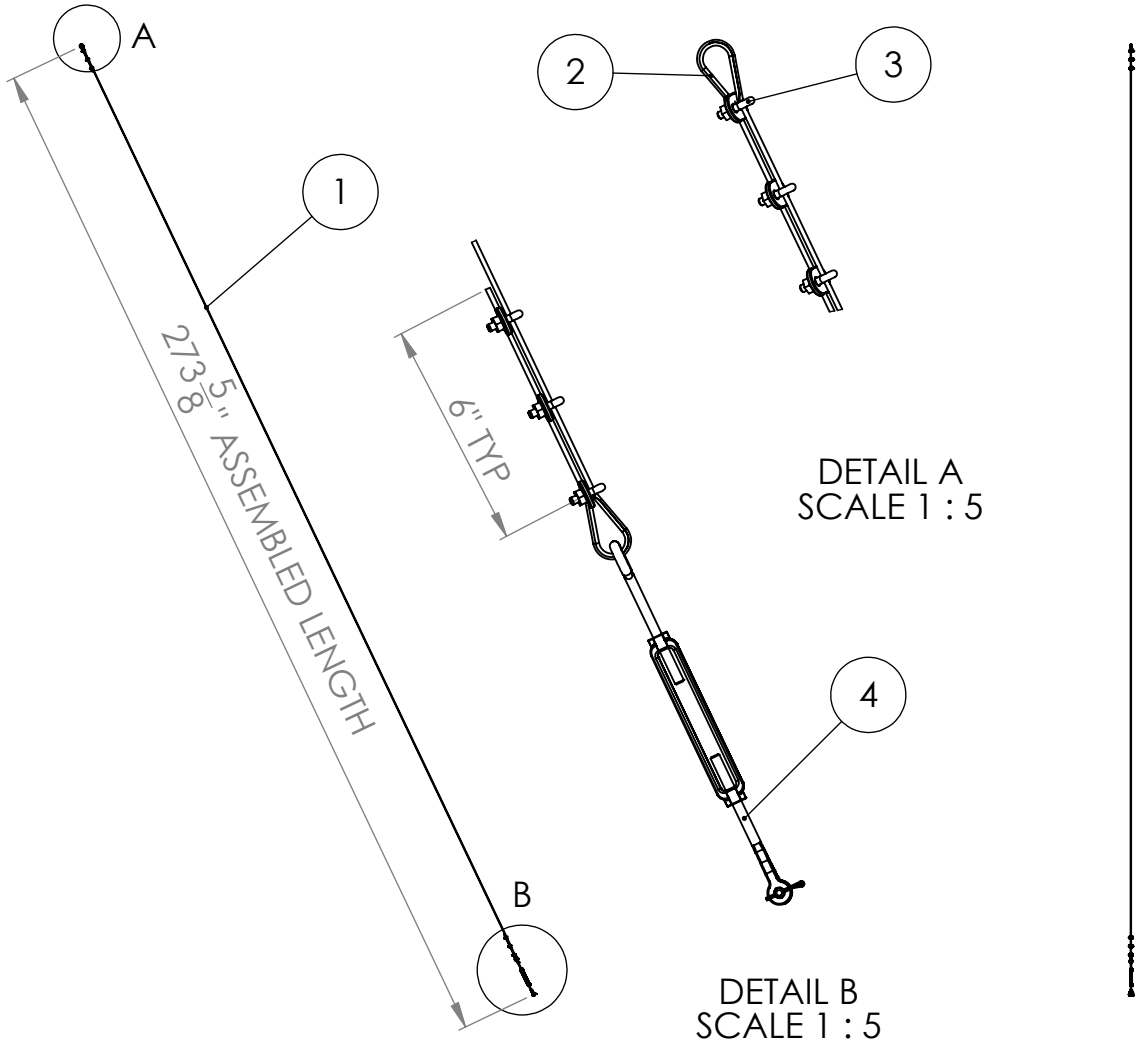
1

ITEM NO.	PART NUMBER	DESCRIPTION	QTY.
1	3450T38-01	1/8" Dia Guy Wire	1
2	3494T11	1/8" Thimble	2
3	30325T61	1/8" Clamp	6
4	3000T51	FORGED GALV STL TURNBUCKLE	1

NOTES:  
 ITEM 1 LENGTH AS DRAWN 285", CUT LONG AND TRIM,  
 YOU DON'T WANT TO BE SHORT.  
 MATERIALS SUPPLIER : McMASTER-CARR  
 3 ASSEMBLIES REQUIRED

B

B



A

A

**PROPRIETARY AND CONFIDENTIAL**  
 THE INFORMATION CONTAINED IN THIS DRAWING IS THE SOLE PROPERTY OF SOLIEX, INC. , ANY REPRODUCTION IN PART OR AS A WHOLE WITHOUT THE WRITTEN PERMISSION OF SOLIEX, INC. IS PROHIBITED.

		DIMENSIONS ARE IN INCHES		NAME	DATE
		TOLERANCES:		DRAWN	DG 6/26/2022
		FRACTIONAL ±		CHECKED	
		ANGULAR: MACH ± BEND ±		ENG APPR.	
		TWO PLACE DECIMAL ±		MFG APPR.	
		THREE PLACE DECIMAL ±		Q.A.	
		MATERIAL		COMMENTS:	
NEXT ASSY	USED ON	FINISH			
APPLICATION		DO NOT SCALE DRAWING			

SOLIEX, INC.

Guy Wire Assembly

SIZE	DWG. NO.	REV.
<b>A</b>	126.1804	
SCALE:1:50	WEIGHT:	SHEET 1 OF 1

2

1